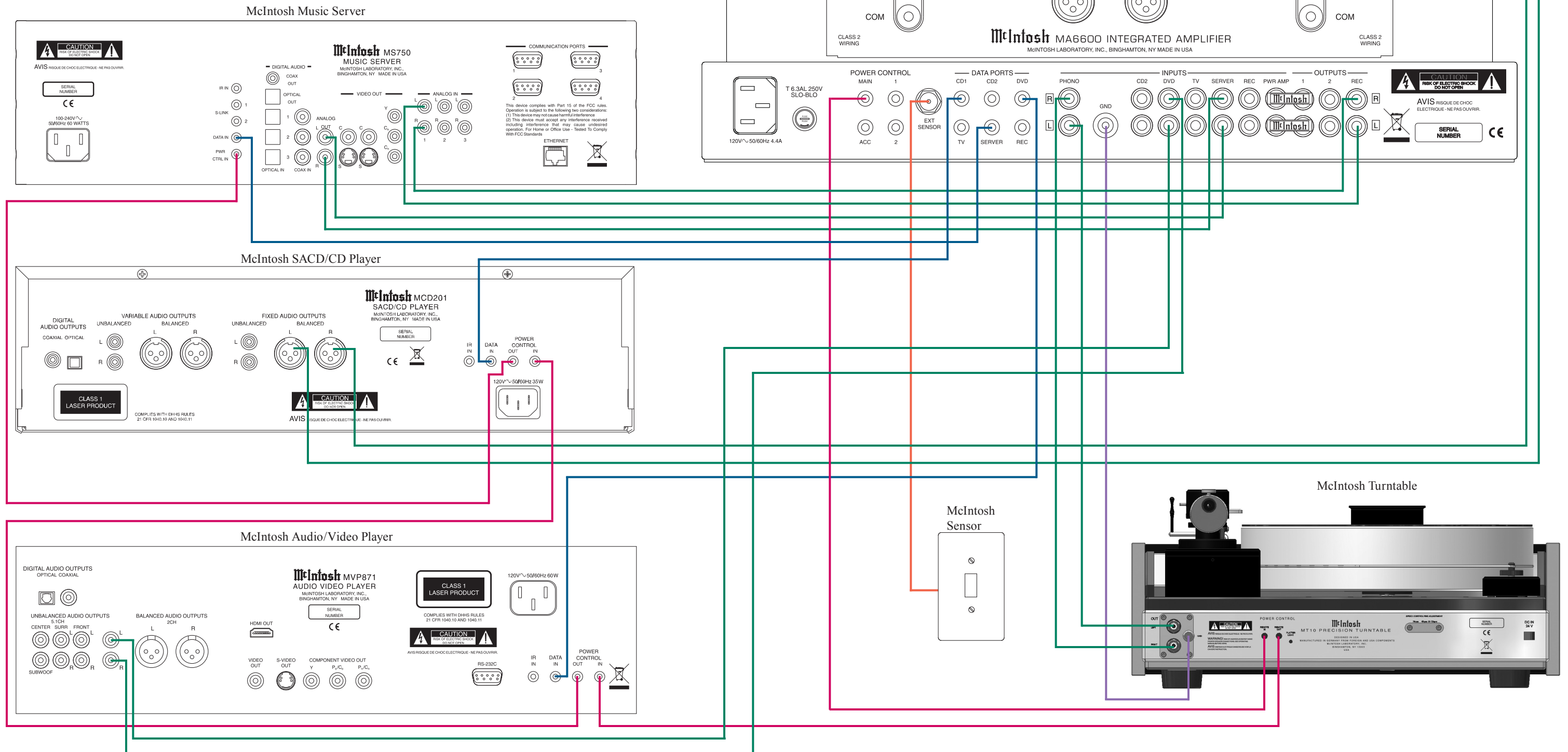


Note: Refer to the MA6600 Owner's Manual page 8 for additional connection information.

### Connection Legend:

- Data Cable\* - — Digital Signal Cable - —
  - Sensor/Keypad Cable - — RS232 Cable - —
  - Power Control Cable\* - — Ground Wire - —
  - Audio Signal Cable - — AC Power Cords - —
  - Video Signal Cable - — Loudspeaker Cable - —
  - RF Signal Cable - —
- \* 2 conductor shielded with 1/8 inch stereo mini phone plug on each end.



Note: Refer to the MA6600 Owner's Manual page 9 for additional connection information.

**Connection Legend:**

- Data Cable\* - — Digital Signal Cable - —
- Sensor/Keypad Cable - — RS232 Cable - —
- Power Control Cable\* - — Ground Wire - —
- Audio Signal Cable - — AC Power Cords - —
- Video Signal Cable - — Loudspeaker Cable - —
- RF Signal Cable - —

\* 2 conductor shielded with 1/8 inch stereo mini phone plug on each end.

McIntosh Power Amplifier - Secondary Room (Partial View)

